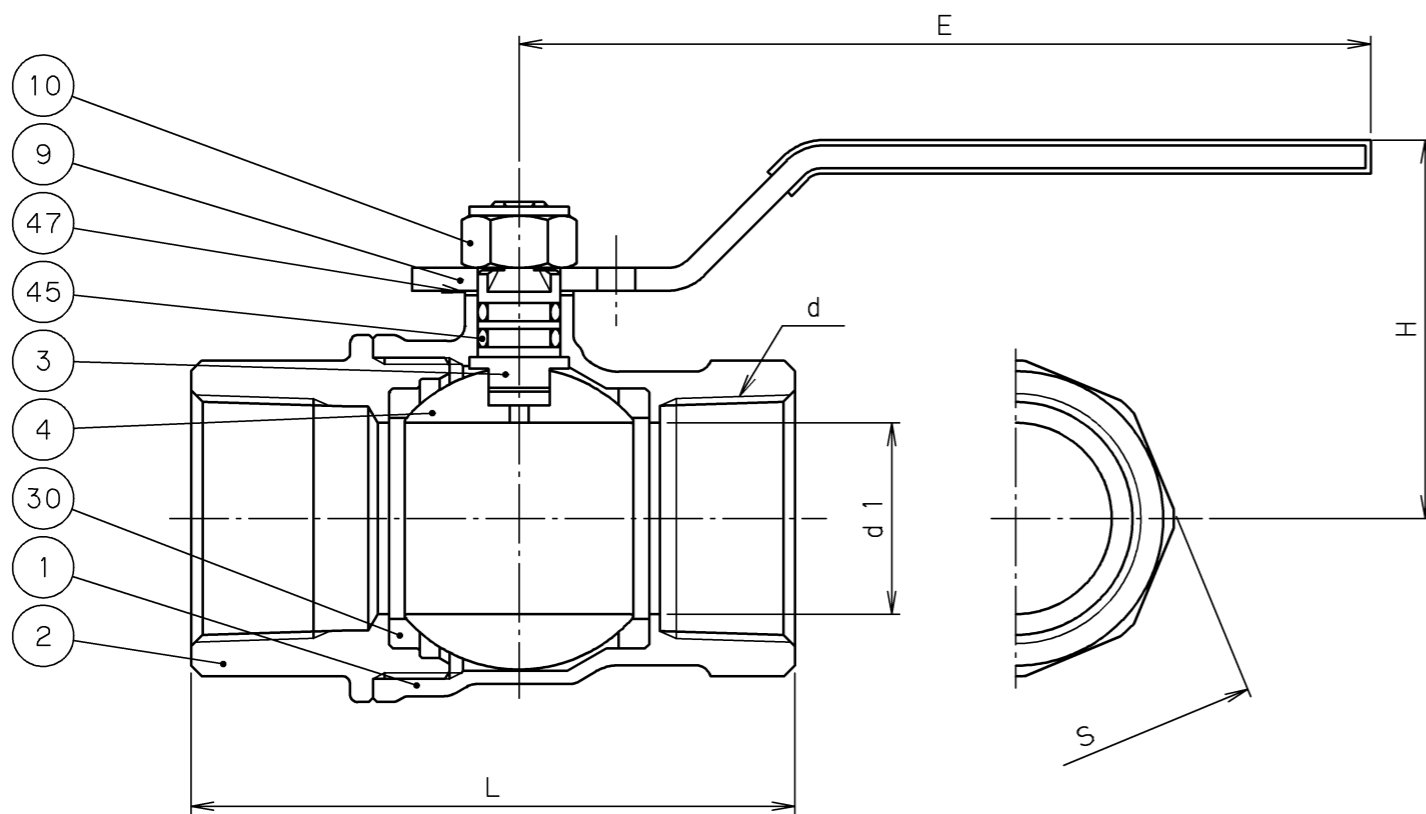


SIZE 2½ & LARGER

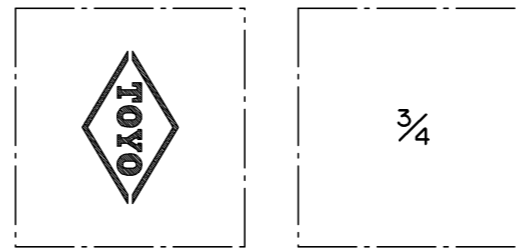


CONSTRUCTION OF BALL ON SIZE 1¼ & LARGER

DIMENSIONS

UNIT: mm

SIZE	d	d1	H	L	E	S	MASS (Kg)	Q'ty
¼	Rc ¼	10	37	50	70	20	0.13	
⅜	Rc ⅜	10	37	50	70	22	0.12	
½	Rc ½	15	40	65	80	26	0.20	
¾	Rc ¾	20	44	68	80	32	0.30	
1	Rc 1	25	50	79	110	39	0.52	
1¼	Rc 1¼	32	55	86	110	48	0.64	
1½	Rc 1½	40	65	96	150	55	1.10	
2	Rc 2	50	72	109	150	68	1.70	
2½	Rc 2½	65	100	138	200	84	4.00	
3	Rc 3	76	112.5	167	300	99	6.50	



BODY MARKING

- *3: ZINC-PLATED.
- *2: Ni·Cr PLATING.
- *1: Ni PLATING.

47	THRUST WASHER	R-PTFE	SIZE 2½, 3	
		PBT	SIZE ¼~2	
45	O-RING	FKM		
30	BALL SEAT	PTFE		
16	PLATE	ALMINUM	SIZE 2½, 3	
10	HANDLE NUT	CARBON STEEL *3	A307-B	
9	LEVER HANDLE	DUCTILE IRON	SIZE 2½, 3	
		STAINLESS STEEL	SIZE ¼~2	
4	BALL	FORGED BRASS *2	B283-C37700	
3	STEM	BRASS ROD *1	B16	
2	CAP	FORGED BRASS	B283-C37700	
1	BODY	FORGED BRASS	B283-C37700	

No.	PART	MATERIAL (ASTM)
-----	------	-----------------

FACE TO FACE OR END TO END
MAKER'S STANDARD

END CONNECTION
JIS B0203

WALL THICKNESS
MAKER'S STANDARD

PRESSURE TEST
MAKER'S STANDARD

600WOG
FORGED BRASS
SCREWED END BALL VALVE
FULL BORE TYPE

APP'D	K.Kobayashi	FIGURE	PRODUCT CODE		
CHK'D	H.Fuseya	600RC-N	5026		
CHK'D	M.Mochizuki	DRAWING No.	△		
PREP'D	K.Kohama	T1210S014 △	MARK	DATE	BY
DATE	JUL.31.'15				



Toyo Valve Co., Ltd.